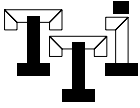


# TRS



## MAIN FEATURES

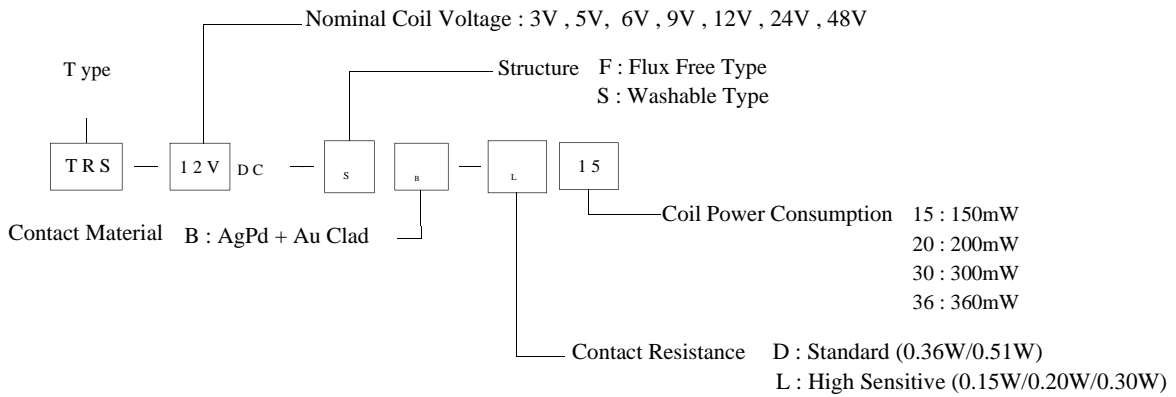
- ? 2 Form C (DPDT) bifurcated-cross-bar contacts.
- ? Gold Clad silver contact.
- ? Dip-2C type matching 16pin IC socket.
- ? Sealed type available.
- ? UL recognized.
- High sensitivity.
- Coil Power Consumption : 0.15 ~ 0.51W



## APPLICATIONS

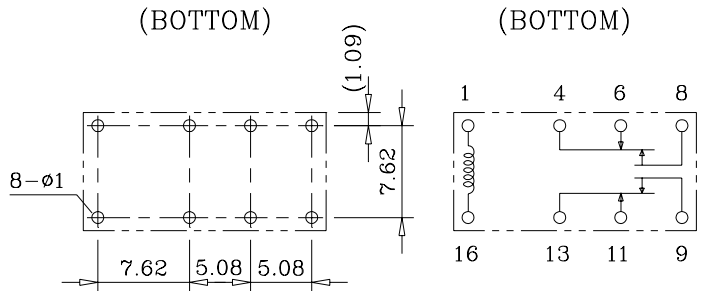
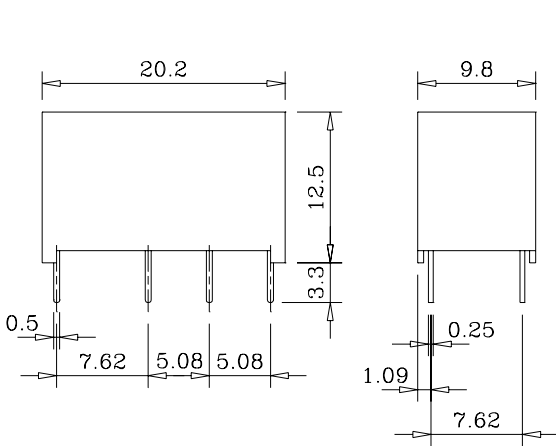
? Telecommunication equipment, domestic appliances, office machines, audio equipment, etc.

## ORDERING INFORMATION



## DIMENSION (unit:mm) DRILLING

## (unit:mm) WIRING DIAGRAM



## COIL DATA CHART (AT20C)

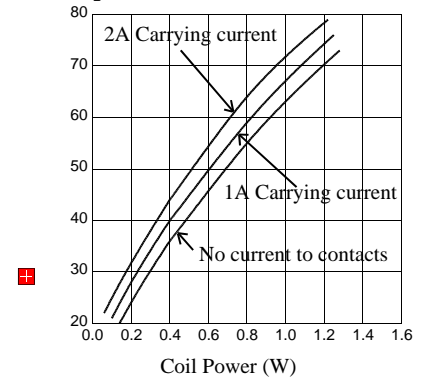
Coil Sensitivity	Coil Voltage Code	Nominal Voltage (VDC)	Nominal Current (mA)	Coil Resistance ( $\Omega$ ) $\pm 10\%$	Power Consumption (W)	Pull-In Voltage (VDC)	Drop-Out Voltage (VDC)	Max-Allowable Voltage (VDC)
TRS-L	05	5	29.9	167	abt. 0.15W	80% Max.	5% Min.	150%
	06	6	25.0	240				
	09	9	16.7	540				
	12	12	12.5	960				
	03	3	66.7	45	abt. 0.2W	80% Max.	5% Min.	150%
	05	5	40	125				
	06	6	33.3	180				
	09	9	22.2	405				
	12	12	16.7	720				
	24	24	8.3	2880				
	48	48	6.3	7680	abt. 0.3W			

## CONTACT RATING

Type Item	TRS
Contact Capacity Resistive Load ( $\cos\Phi=1$ )	0.5A 125VAC
Inductive Load ( $\cos\Phi=0.4$ L/R=7msec.)	2A 28VDC
Rated Carrying Current	2A
Max. Allowable Voltage	125VAC, 28VDC
Max. Allowable Current	2A
Max. Allowable Power Force	62.5VA, 56W
Referenced Min. Applicable Load	100mVDC 0.1mA
Contact Material	AgPd + Au Clad

## REFERENCE DATA

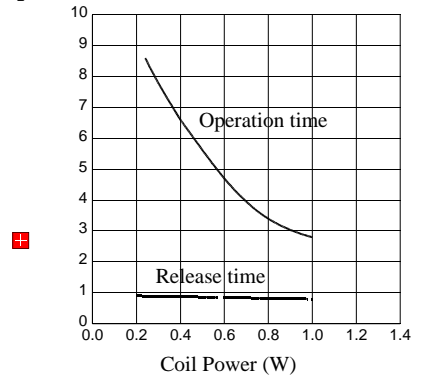
### Coil Temperature Rise



## PERFORMANCE (at initial value)

Type Item	TRS
Contact Resistance	100m $\Omega$ Max.
Operation Time	6msec Max.
Release Time	5msec Max.
Dielectric Strength Between coil & contact Between contacts	1000VAC 50/60Hz (1 minute) 500VAC 50/60Hz (1 minute)
Surge Resistiveness	1500V
Insulation Resistance	1000 M $\Omega$ Min. (500VDC)
Max. ON/OFF Switching Mechanically Electrically	300 operation/min 30 operation/min
Operating Ambient Temperature	-30°C to +70°C (No water condensation and no water drop)
Operating Humidity	45 to 85% RH
Coil Temperature Rise	40 deg. Max. (at rated coil voltage)
Vibration Endurance Error Operation	10 to 55Hz Double Amplitude 1.5mm 10 to 55Hz Double Amplitude 1.5mm
Shock Endurance Error Operation	100G Min. 10G Min.
Life Expectancy Mechanically Electrically	10 x 10 <sup>7</sup> ops. Min. (no load) 10 x 10 <sup>4</sup> ops. Min.
Weight	abt. 4.8grs.
UL File No.	E156521

### Operation Time



### Life Expectancy

