

<h1 style="margin: 0;">通信继电器</h1>	<h1 style="margin: 0;">HJR4102</h1>
-----------------------------------	-------------------------------------

- Small size and low cost
- DIP standard terminals
- Surge Strength 1500V FCC68
- Sealed type available
- Conform to RoHS,ELV directive

15.8×10.8×11.8



ORDERING CODE 订购代码

<u>HJR4102</u>	D	—	<u>12VDC</u>	—	<u>S</u>	—	<u>Z</u>
1	2	3	4	5			

1. Relay Model 继电器型号	3. Coil Nominal Voltage 线圈额定电压	5. 触点转换形式
2. Coil Power 线圈功率	3,5,6,9,12,24,48VDC	Z: Form C
D=0.36W, L=0.2W, N=0.45W	4. Sealed 密封	H: Form A

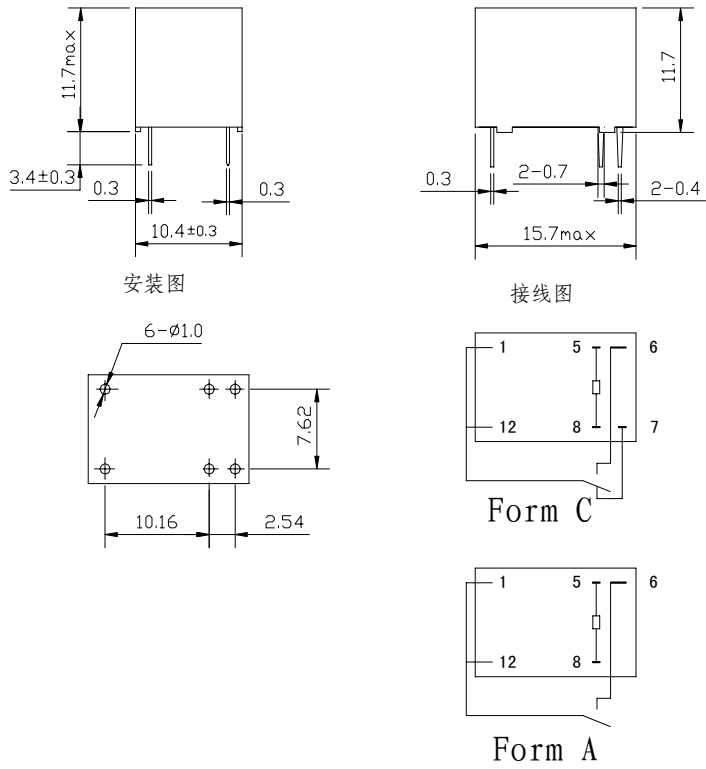
COIL DATA 线圈参数 (at 20°C)

Nominal Voltage 额定电压(VDC)	3	5	6	9	12	24	48	
Coil Resistance 线圈阻值($\Omega \pm 10\%$)	25	69	100	225	400	1600	6400	0.36W
Rated Current 额定电流(mA)	120	71.4	60	40	30	15	7.5	
Max Operate Voltage 最大吸合电压(VDC)	2.25	3.75	4.5	6.75	9	18	36	
Min Release Voltage 最小释放电压(VDC)	0.3	0.5	0.6	0.9	1.2	2.4	4.8	
Coil Resistance 线圈阻值($\Omega \pm 10\%$)	20	56	80	180	320	1280	5120	
Rated Current 额定电流(mA)	150	90	75	50	37.5	18.7	9	
Max Operate Voltage 最大吸合电压(VDC)	2.25	3.75	4.5	6.75	9	18	36	
Min Release Voltage 最小释放电压(VDC)	0.3	0.5	0.6	0.9	1.2	2.4	4.8	0.2W
Coil Resistance 线圈阻值($\Omega \pm 10\%$)	45	125	180	105	720	2880		
Rated Current 额定电流(mA)	66.7	40	33.3	22.2	16.7	8.3		
Max Operate Voltage 最大吸合电压(VDC)	2.25	3.75	4.5	6.75	9	18		
Min Release Voltage 最小释放电压(VDC)	0.3	0.5	0.6	0.9	1.2	2.4		
Max Applicable Voltage 最大过载电压	70°C时额定电压的130%，23°C时额定电压的170%							

CONTACT DATA 触点参数

Contact Form 触点形式	1H/1Z
Contact Material 触点材料	Silver Alloy
Load 负载	Resistive load(COS Φ =1)
Contact Ratings 触点负载	3A 120VAC/24VDC ,1A 250VAC(TÜV)
Minimum load 最小负载	1mA 5VDC
Max Switching Voltage 最大转换电压	240VAC/60VDC
Max Switching Current 最大转换电流	5A
Max Switching Power 最大转换功率	360VA/90W
Contact Resistance 接触电阻	100m Ω Max at 6VDC 1A
Life Expectancy 寿命	Electrical 电气寿命: 100,000 Operations(at30Operations/minute)
	Mechanical 机械寿命: 10,000,000 Operations(at3000Operations/minute)

■ OVERALL AND MOUNTING DIMENSIONS 安装图



声明:

本产品规格书仅供客户使用时参考, 如有更改, 恕不另行通知。