

## 規格

項目/ 型號	YP60T8	YP80T10	YP100T10	YP150T12
額定電壓	500V AC	500V AC	500V AC	500V AC
額定電流	60A	80A	100A	150A
洩漏電流	82mA MAX 500V,50HZ	82mA MAX 500V,50HZ	82mA MAX 500V,50HZ	82mA MAX 500V,50HZ
耐電壓	線對線	1450V DC	1450V DC	1450V DC
	線對地	2250V DC	2250V DC	2250V DC
絕緣阻抗	100M ohm MIN 500VDC	100M ohm MIN 500VDC	100M ohm MIN 500VDC	100M ohm MIN 500VDC
直流阻抗	0.04 ohm MAX	0.04 ohm MAX	0.04 ohm MAX	0.04 ohm MAX
溫昇上升	30C MAX	30C MAX	30C MAX	30C MAX
工作電壓	-25 ~ +85C	-25 ~ +85C	-25 ~ +85C	-25 ~ +85C
CX	2.2uF	2.2uF	2.2uF	2.2uF
CY	30000pF	30000pF	30000pF	30000pF
電阻	200K/ohm	10M/ohm	200K/ohm	200K/ohm
電感值	0.8mH	350uH	90uH	90uH

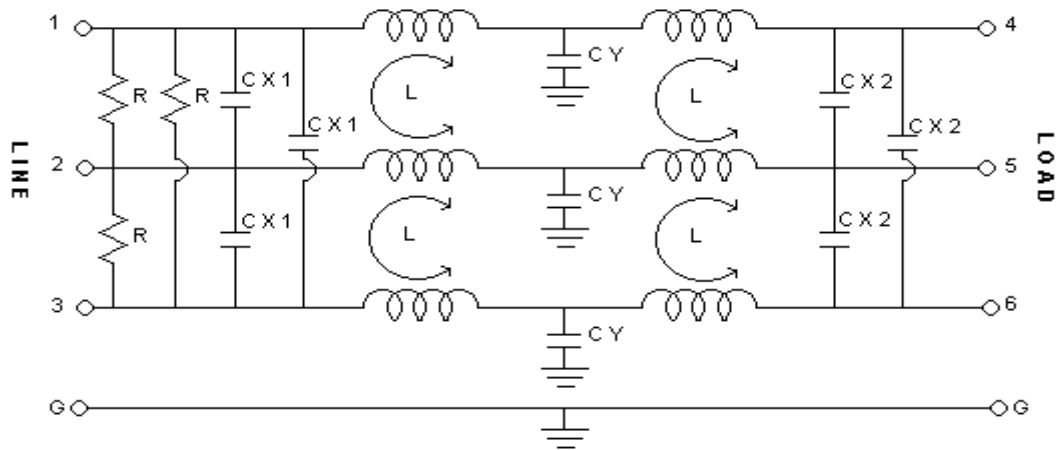
## 3. 衰減量

COMMON MODE (LINE TO GROUND) IN 50 OHM SYSTEM							
TYPE	CURRENT RATING	FREQUENCY-MHZ					
		0.15	0.5	1.0	5.0	10.0	30.0
YP60T8	60A	41	46	45	44	42	21
YP80T10	80A	41	46	47	41	36	21
YP100T10	100A	15	36	43	41	32	19
YP150T12	150A	38	40	33	28	22	15
DIFFERENTIAL MODE (LINE TO LINE) IN 50 OHM SYSTEM							
YP60T8	60A	42	45	46	42	38	25
YP80T10	80A	60	48	49	43	38	27
YP100T10	100A	21	41	46	39	34	21
YP150T12	150A	30	47	36	31	25	15

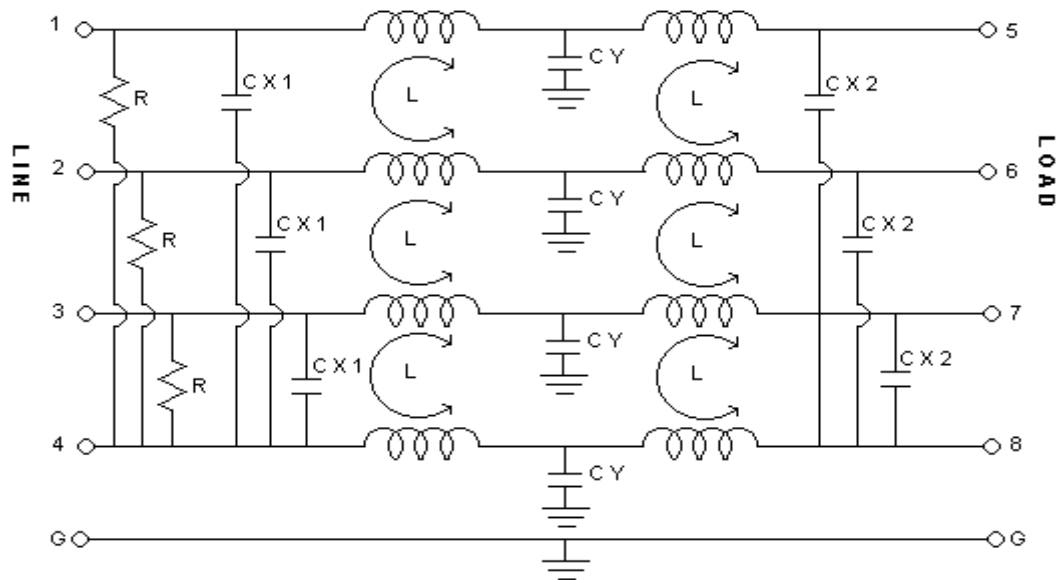


## 4. 線路圖

YP60T8/YP100T10

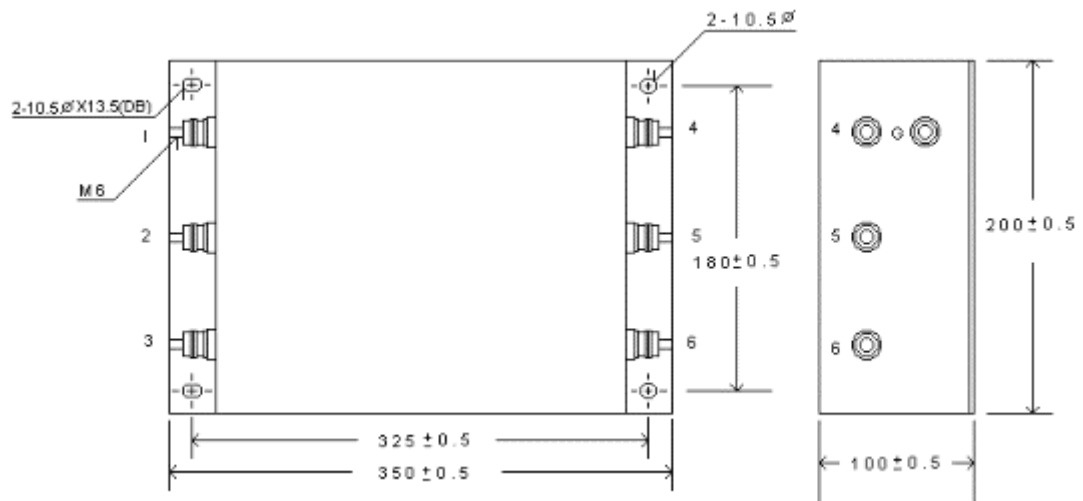


YP150T12

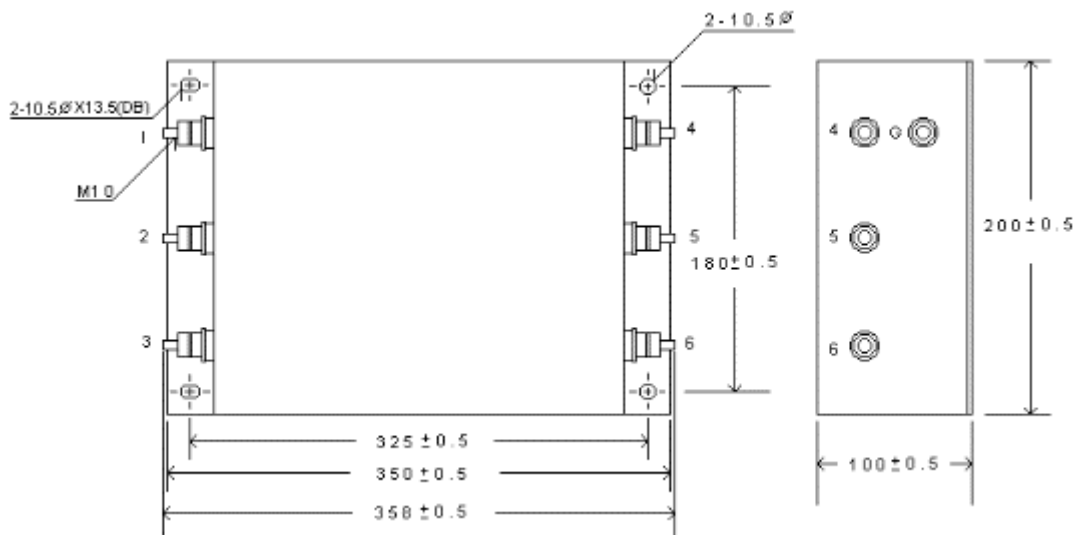


5. 尺寸圖

### YP60T8



### YP80T10, YP100T10



### YP150T12

