

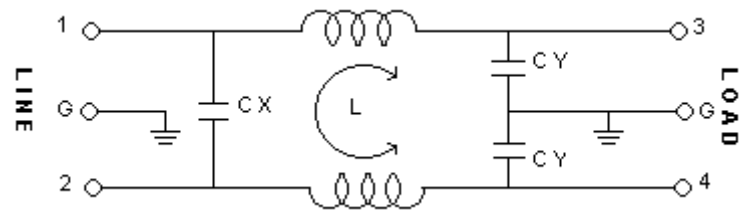
規格

項目 / 型號		YA01T1/YA01T3	YA03T1/YA03T3	YA06T1/YA06T3	YA10T1/YA10T3
額定電壓		125/250V AC	125/250V AC	125/250V AC	125/250V AC
額定電流		1A	3A	6A	10A
洩漏電流		0.8mA MAX 250V,50HZ	0.8mA MAX 250V,50HZ	0.8mA MAX 250V,50HZ	0.8mA MAX 250V,50HZ
耐電壓	線對線	1450V DC	1450V DC	1450V DC	1450V DC
	線對地	2250V DC	2250V DC	2250V DC	2250V DC
絕緣阻抗		100M ohm MIN 250VDC	100M ohm MIN 250VDC	100M ohm MIN 250VDC	100M ohm MIN 250VDC
直流阻抗		0.5 ohm MAX	0.2 ohm MAX	0.15 ohm MAX	0.1 ohm MAX
溫度上升		30C MAX	30C MAX	30C MAX	30C MAX
溫度使用範圍		-25 ~ +85C	-25 ~ +85C	-25 ~ +85C	-25 ~ +85C
CX		0.1uF Max	0.1uF Max	0.1uF Max	0.1uF Max
CY		3300pF Max	3300pF Max	3300pF Max	3300pF Max
電阻		1M,10M/ohm	1M,10M/ohm	1M,10M/ohm	1M,10M/ohm
電感值		3.7mH	1.8mH	0.7mH	0.3mH
衰減量	NORMAL MODE 25dbMIN	0.60 ~ 45MHZ	0.80 ~ 50MHZ	0.80 ~ 50MHZ	1.00 ~ 50MHZ
	COMMON MODE 25dbMIN	0.10 ~ 40MHZ	0.20 ~ 50MHZ	0.40 ~ 50MHZ	1.00 ~ 50MHZ

3. 衰減量 (0.1uF, 3300pF)

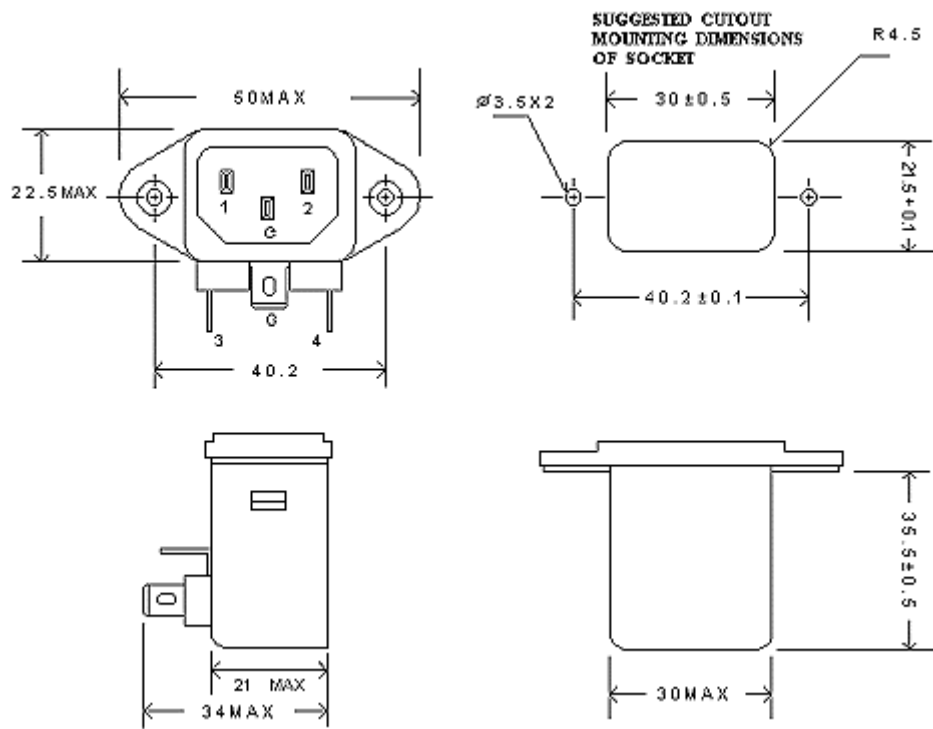
COMMON MODE (LINE TO GROUND) IN 50 OHM SYSTEM							
TYPE	CURRENT	FREQUENCY-MHZ					
	RATING	0.15	0.5	1.0	5.0	10.0	30.0
YA01T1/YA01T3	1A	25	35	38	37	37	37
YA03T1/YA03T3	3A	23	33	37	38	40	39
YA06T1/YA06T3	6A	15	21	25	37	38	43
YA10T1/YA10T3	10A	5	14	21	34	38	42
DIFFERENTIAL MODE (LINE TO LINE) IN 50 OHM SYSTEM							
YA01T1/YA01T3	1A	7	18	24	39	38	40
YA03T1/YA03T3	3A	7	17	22	41	40	37
YA06T1/YA06T3	6A	7	16	21	40	39	37
YA10T1/YA10T3	10A	4	14	20	35	42	37

4. 線路圖

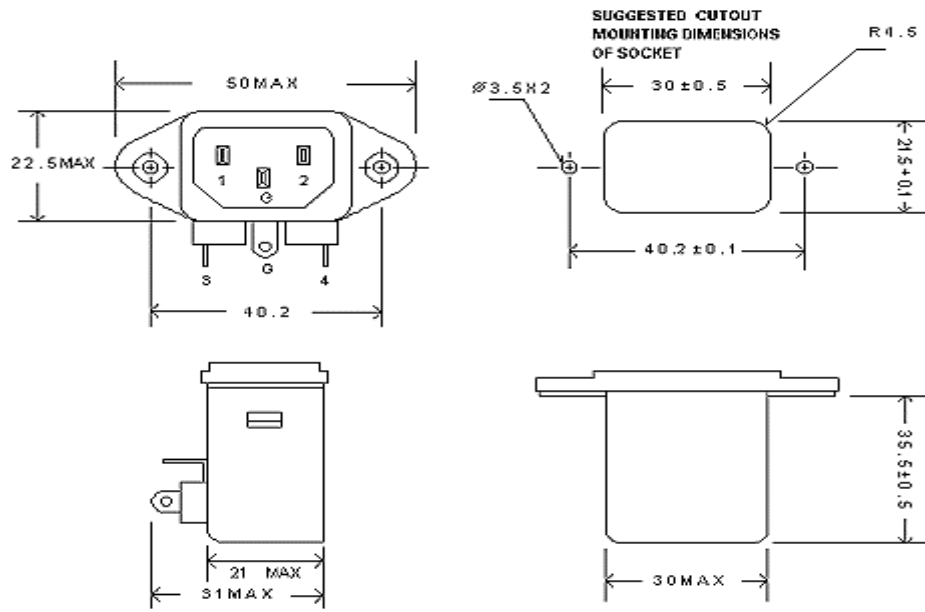


5. 尺寸圖

YA01T1~YA10T1



YA01T3~YA10T3



大豪电子
电话: 0755-83233025
<http://www.szdahao.com>
<http://www.very-tec.com>