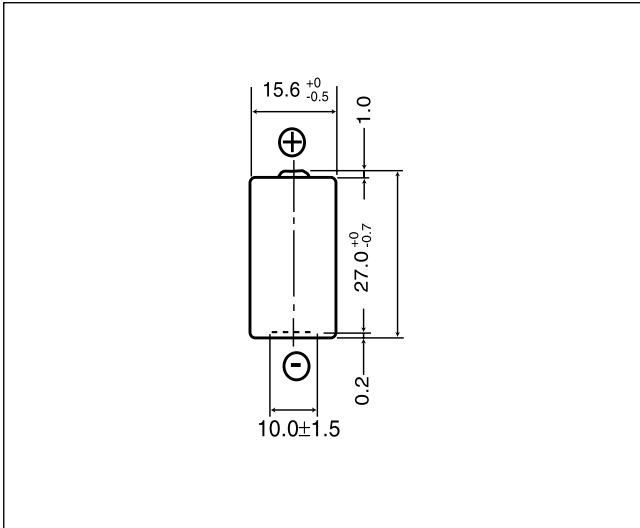


## CR2

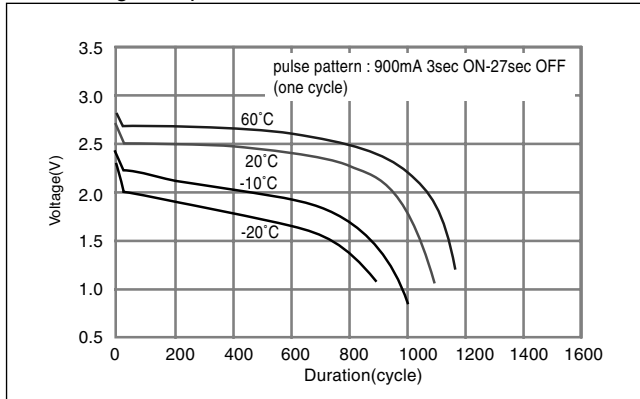
### ■ Dimensions(mm)



### ■ Specification

<b>Nominal voltage(V)</b>	3
<b>Nominal capacity(mAh)</b>	850
<b>Continuous drain(mA)</b>	20
<b>Operating temperature(°C)</b>	-40 to +70*

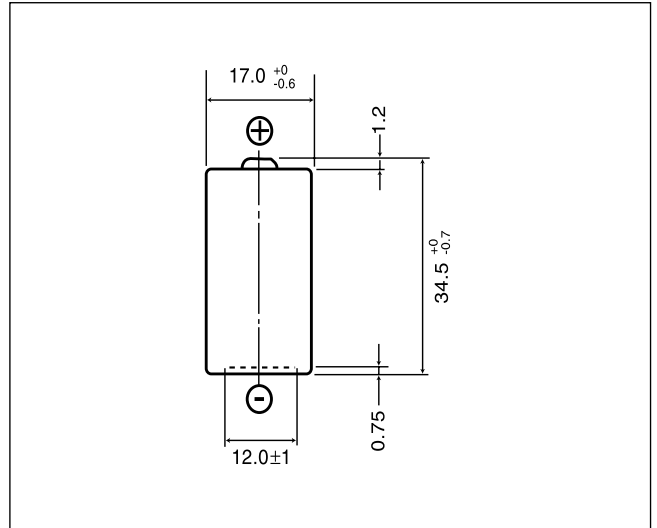
### ■ Discharge temperature characteristics



\* Please consult Panasonic for use below and above -20°C to +60°C.

## CR123A

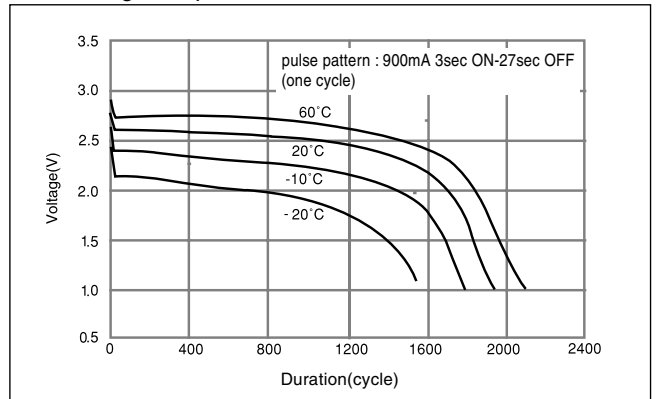
### ■ Dimensions(mm)



### ■ Specification

<b>Nominal voltage(V)</b>	3
<b>Nominal capacity(mAh)</b>	1,400
<b>Continuous drain(mA)</b>	20
<b>Operating temperature(°C)</b>	-40 to +70*

### ■ Discharge temperature characteristics



\* Please consult Panasonic for use below and above -20°C to +60°C.