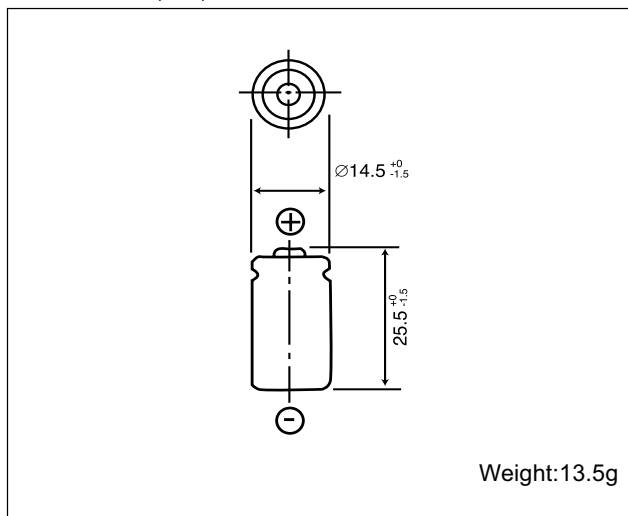


Poly-carbonmonofluoride Lithium Batteries: Individual Specifications

BR-1/2AA

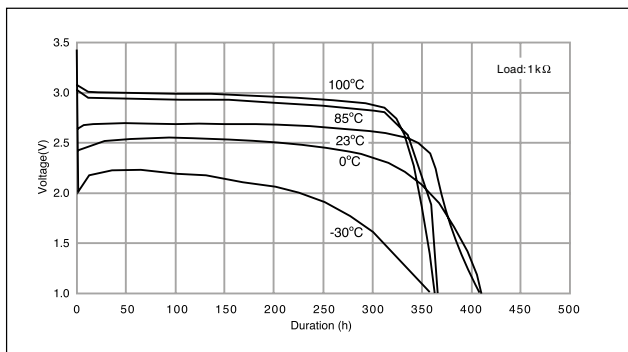
■ Dimensions(mm)



■ Specification

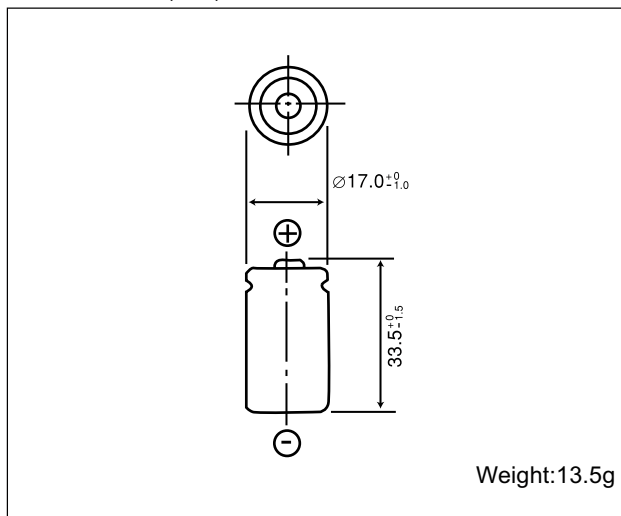
Nominal voltage (V)	3
Nominal capacity (mAh)	1,000
Continuous standard load (mA)	2.5
Operating temperature (°C)	-40 ~ +100

■ Temperature Characteristics



BR-2/3A

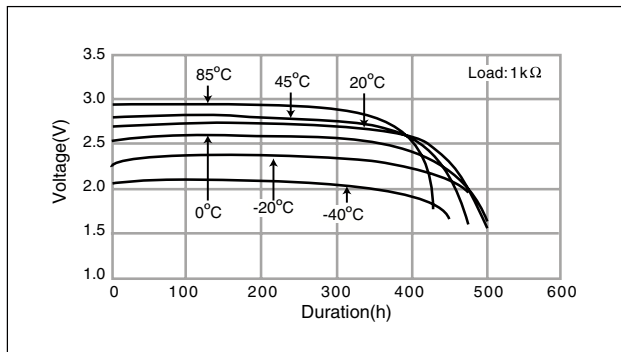
■ Dimensions(mm)



■ Specification

Nominal voltage (V)	3
Nominal capacity (mAh)	1,200
Continuous drain (mA)	2.5
Operating temperature (°C)	-40 ~ +85

■ Temperature Characteristics



■ Operating voltage vs. Discharge current (voltage at 50% discharge depth)

