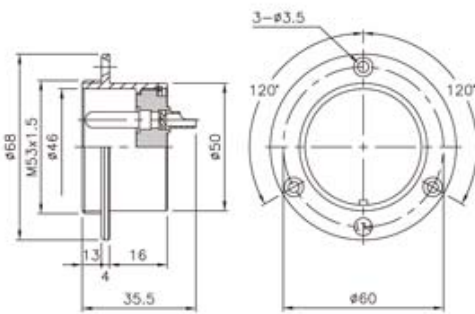
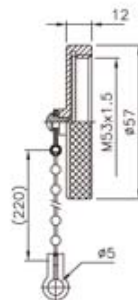


**PLT-50-P**

**大豪电子**  
电话:0775-83233025  
<http://www.szdahao.com>  
<http://www.very-tec.com>



**PLT-50-R**



**PLT-50-RCa**

◆ No. of contacts	4						
Contacts Configuration							
Rated current / voltage	80A 250V						
Operation limit voltage (AC.V.rms)	600						
Withstanding voltage (AC.V.rms) 1 minute	3000						
Insulation resistance (MΩ MIN.) at DC 500V	5000						
Contact resistance (MΩ MAX.) at DC 1A	3						
Solder inter diameter							