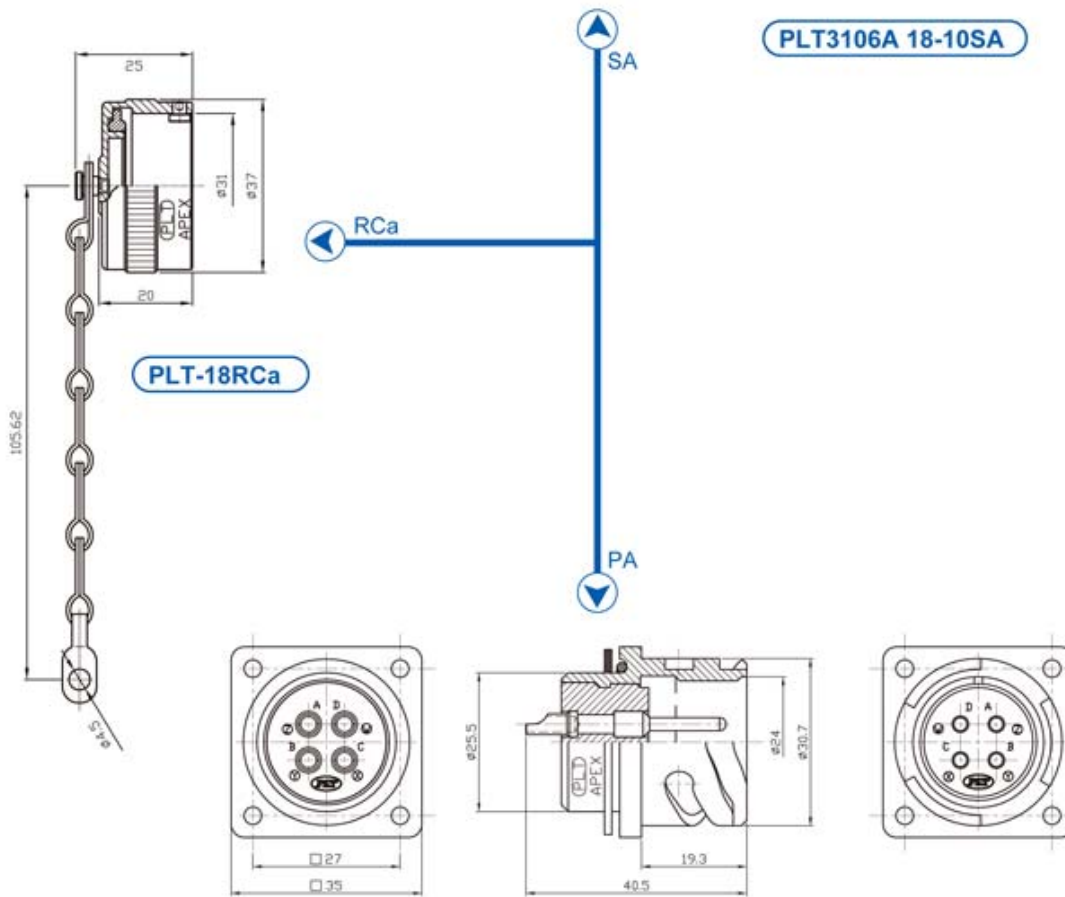
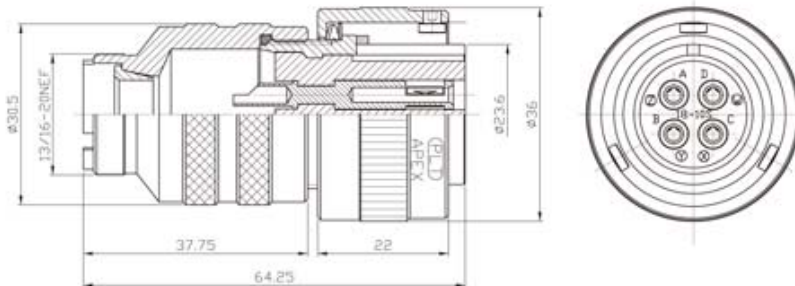


**大豪电子**  
电话: 0775-83233025  
<http://www.szdahao.com>  
<http://www.very-tec.com>



PLT-3106A /  
PLT-3102A  
18-10 Series  
( INPUT TYPE )



PLT3106A 18-10SA

PLT-18RCa

PLT3102A 18-10PA

No.	ELECTRICAL SPECIFICATIONS	
1	Withstanding voltage	AC : 2000 V ONE MINUTE
2	Test Current	23 AMPERES
3	Insulation resistance	5000MQ min.AT DC 500V