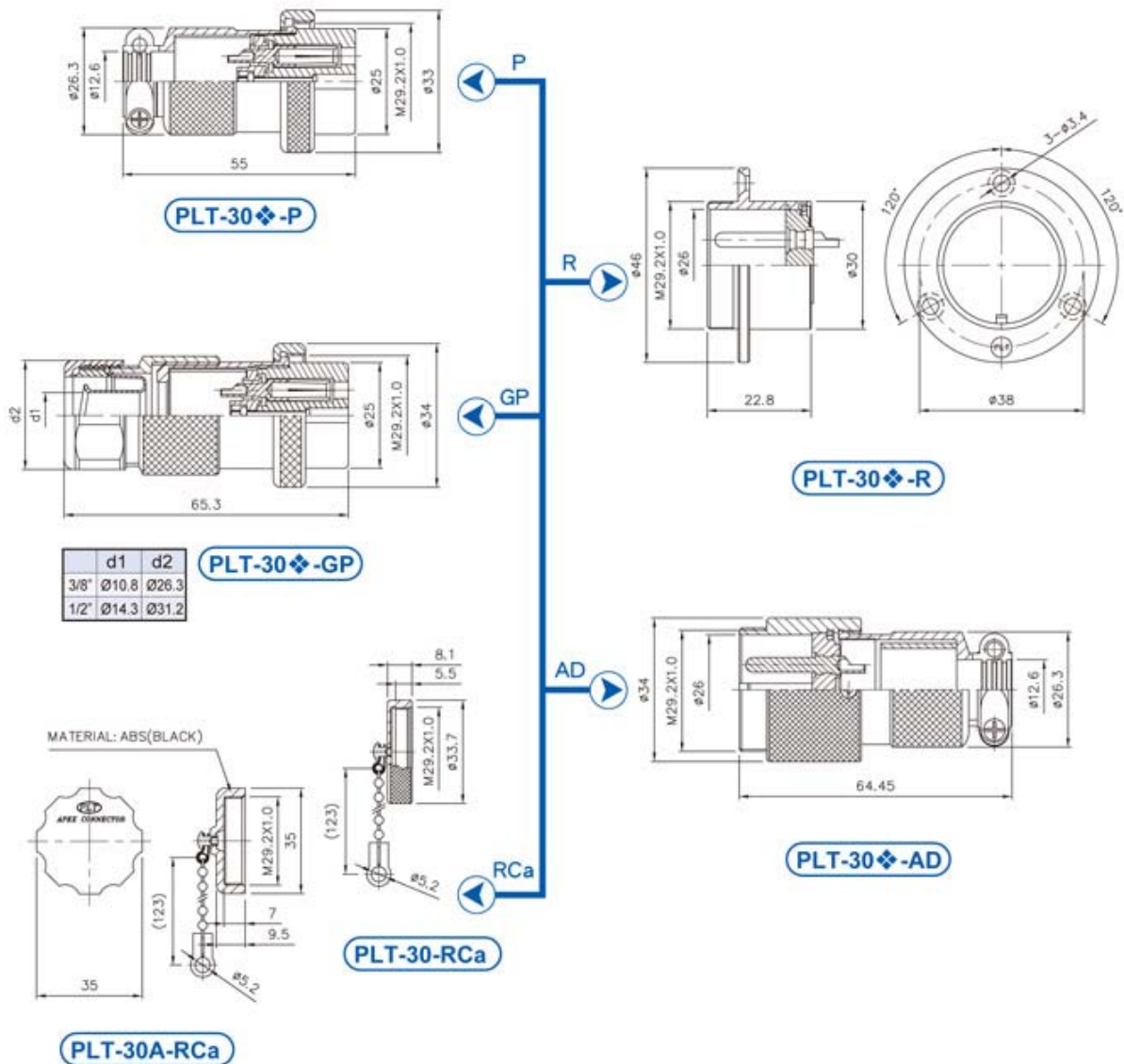


大豪电子
电话:0775-83233025
<http://www.szdahao.com>
<http://www.very-tec.com>



◆ No. of contacts	2	3	4	5	7	8
Contacts Configuration						
Rated current / voltage	15A 250V	15A 250V	15A 250V	15A 250V	15A 250V	5A 250V
Operation limit voltage (AC.V.rms)	400	400	400	400	400	300
Withstanding voltage (AC.V.rms) 1 minute	2000	2000	2000	1800	1800	1800
Insulation resistance (MΩ MIN.) at DC 500V	2000	2000	2000	2000	2000	2000
Contact resistance (MΩ MAX.) at DC 1A	3	3	3	3	3	3
Solder inter diameter	2.8	2.8	2.8	2.8	2	2.5