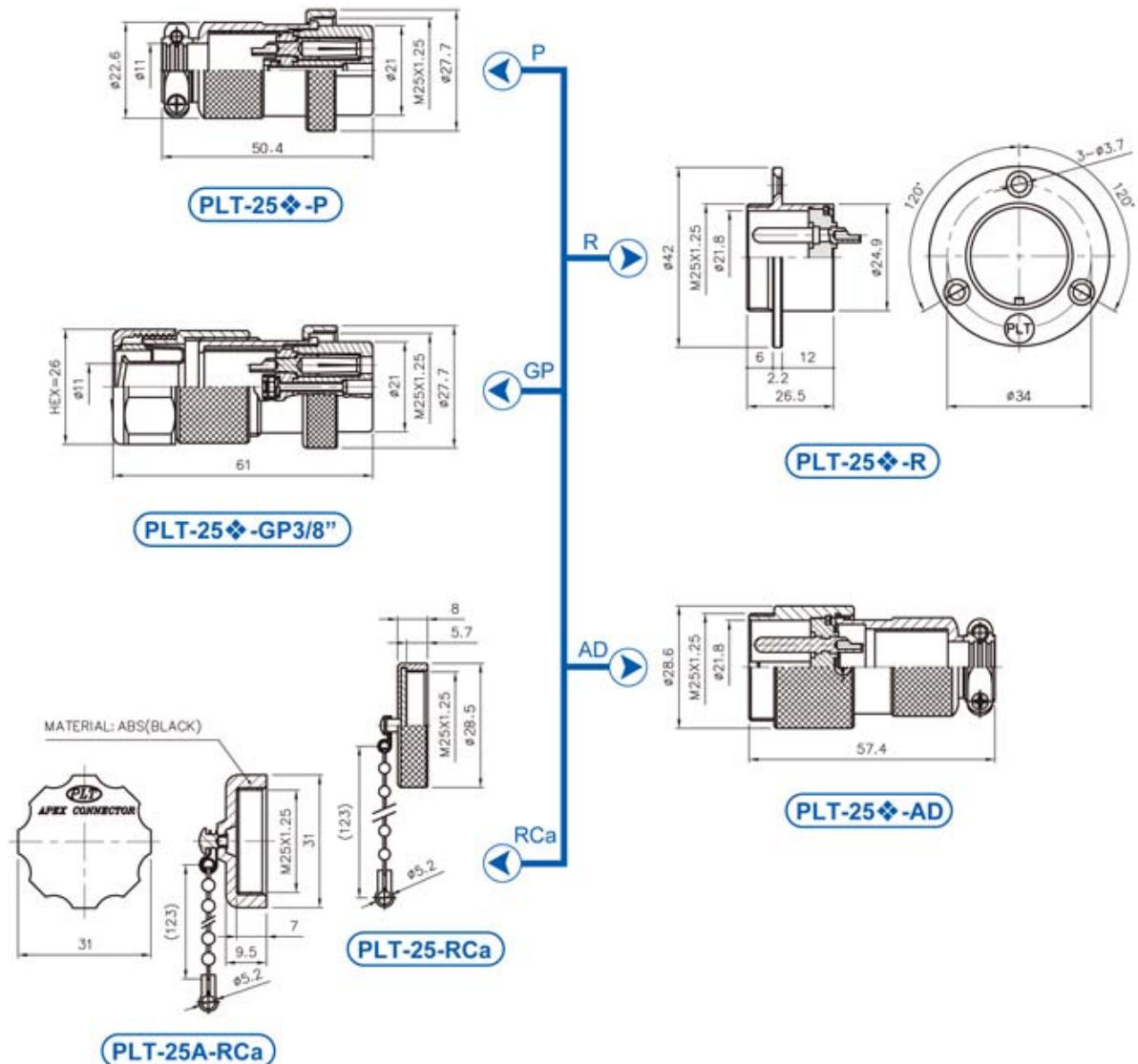


大豪电子
电话: 0775-83233025
<http://www.szdahao.com>
<http://www.very-tec.com>



◆ No. of contacts	2	3	4	5	6		
Contacts Configuration							
Rated current / voltage	10A 250V	10A 250V	10A 250V	10A 250V	10A 250V		
Operation limit voltage (AC.V.rms)	400	400	400	400	300		
Withstanding voltage (AC.V.rms) 1 minute	2000	2000	2000	1800	1800		
Insulation resistance (MΩ MIN.) at DC 500V	2000	2000	2000	2000	2000		
Contact resistance (MΩ MAX.) at DC 1A	3	3	3	3	3		
Solder inter diameter	1.9	1.9	1.9	1.9	1.9		