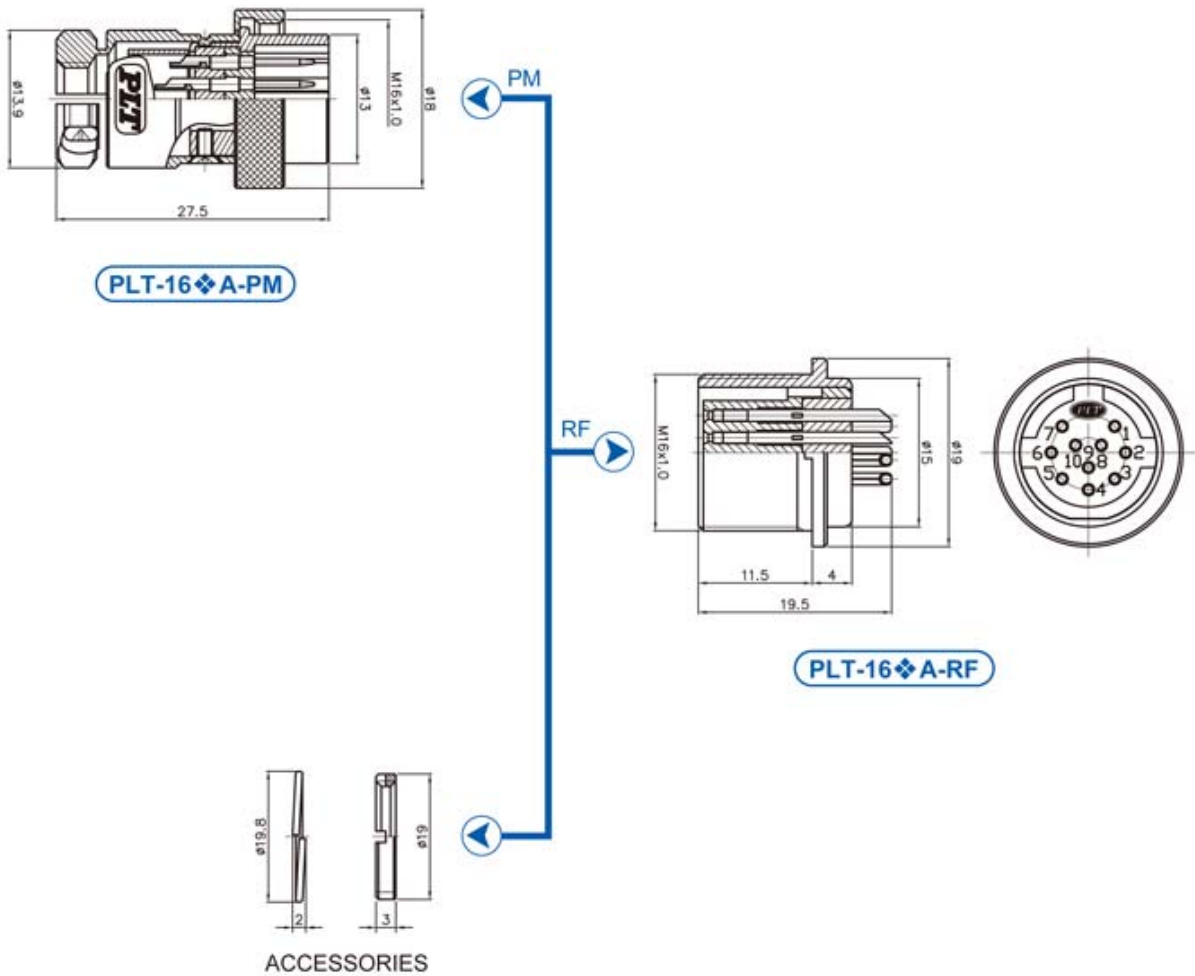


**大豪电子**  
电话: 0775-83233025  
<http://www.szdahao.com>  
<http://www.very-tec.com>



◆ No. of contacts	9	10						
Contacts Configuration								
Rated current / voltage	1A 125V	1A 125V						
Operation limit voltage (AC.V.rms)	200	200						
Withstanding voltage (AC.V.rms) 1 minute	1000	1000						
Insulation resistance (MΩ MIN.) at DC 500V	1000	1000						
Contact resistance (MΩ MAX.) at DC 1A	20	20						
Solder inter diameter	0.8	0.8						